

CT81 SERIES

HIGH VOLTAGE CERAMIC CAPACITORS
(CT81-15KV-D19-F12.5-102K)

◆ 产品特性 Features

- * 低损耗 Low dissipation factor of 1% at 1 KHZ
- * 高频特性 High frequency $\geq 100\text{KHZ}$
- * 过大电流 High current $\geq 15\text{mA}$
- * 高压特性好 High voltage $\geq 45\text{KVDC}$
- * 绝缘电阻大 High insulation resistance $\geq 100000\text{M}\Omega$
- * 使用寿命长 Long life ≥ 10 years

◆ 用途 Applications

- * 高压电源 High voltage power supplies;
- * 激光脉冲 gas lasers, high voltage pulse generator
- * X 光机电源 X-ray equipment
- * 智能电网 Smart grid
- * 仪器 Industrial
- * 军工装备 Military

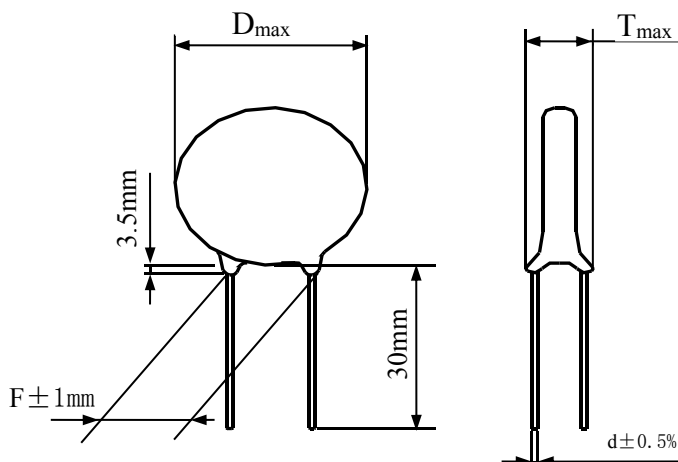


Image is for ref. only

◆ 陶瓷温度特性 Ceramic dielectric properties:

NO.	陶瓷介质 Ceramic Dielectric	温度范围 Operating temperature Range ($^{\circ}\text{C}$)	绝缘电阻 Insulation Resistance ($\geq \text{M}\Omega$)	损耗角 Dissipation Factor \leq	温度变化率 Temperature characteristics
	Y5T	-25/+85	100000	0.2%	+/-28%

◆ 外观尺寸 Dimension & Lead Style:



Manufacturer of high voltage ceramic capacitors

Dongguan Uchi Electronics Co., Ltd.
Web: <http://www.uchidg.com> E-mail: james@uchidg.com
Mobil: 18925858717 QQ: 305021005
Tel: 86-769-86183707 Fax: 86-769-85625751

CT81 SERIES

HIGH VOLTAGE CERAMIC CAPACITORS

(CT81-15KV-DL19-F12.5-102K)

◆ Standard Ratings:

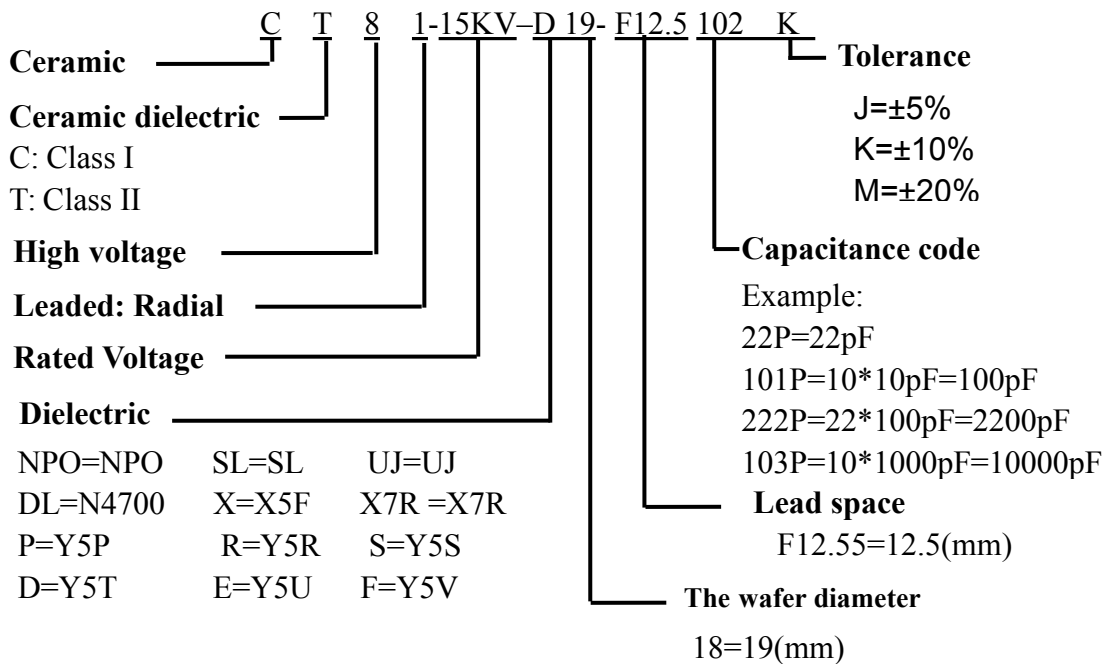
Withstanding voltage ≥ 1.5 times of rated voltage(in oil)

No	Part Number	Ceramic Dielectric	Rated voltage	Capacitance		Dimensions (mm)			
				C	TOL.	D	T	F	d
	CT81-15KV-D19-F12.5-102K	Y5T	15KVDC	1000	$\pm 10\%$	18.5	7.5	12.5	0.8

◆ Ordering Information

Model	Rated Voltage	Capacitance Value	Tolerance	ceramic
CT81-15KV-D19-F12.5-102K	15kvdc	1000pf	$\pm 10\%$	Y5T

◆ Explanation of part numbers:



◆ About N4700 ceramic

<p>Y5T 材质是一种性能较好的 II 类通用陶瓷, 当温度在 -25°C 到 $+85^{\circ}\text{C}$ 时其容量变化为 $+22/-33\%$, 介质损耗小于 1%, 绝缘电阻大于 100000MΩ。</p>	<p>Y5T is a better performance of Class II General Ceramics. Its temperature variation of capacitance is within $+22/-33\%$ from -25°C to $+85^{\circ}\text{C}$. Dissipation factor is less than 1%, insulation resistance greater than 100000MΩ.</p>
---	---

Manufacturer of high voltage ceramic capacitors

Dongguan Uchi Electronics Co., Ltd.
 Web: <http://www.uchidg.com> E-mail: james@uchidg.com
 Mobil: 18925858717 QQ: 305021005
 Tel: 86-769-86183707 Fax: 86-769-85625751

CT81 SERIES

HIGH VOLTAGE CERAMIC CAPACITORS

(CT81-15KV-D19-F12.5-102K)

◆ 注意事项	PRECAUTIONS
<p>(1) 运输和储存</p> <ul style="list-style-type: none"> • 请避免在高温或高湿度或淋雨状态下运输或储存电容。 • 不要放置在有毒气体，如硫酸，盐酸，硝酸等。 • 避免碰撞。 <p>(2) 在操作过程中</p> <ul style="list-style-type: none"> • 避免接触，如汗液电解质。不要赤手触摸。 • 小心轻放,避免坠地。 • 请勿焊接螺柱端子。 • 不要再接终端。 <p>(3) 用法</p> <ul style="list-style-type: none"> • 当电容器用于高速脉冲，如激光，确保外加电压（峰 - 峰值电压）在电容器的额定规格内。 • 确保电容器不暴露使用,请在变压器油或环氧树脂中密封。 	<p>(1) During transportation and storage</p> <ul style="list-style-type: none"> • Do not transport or store where the capacitor will be exposed to hightemperature or high humidity. • Do not expose to poisonous gases such as H2SO4, HCL or HNO3. • Avoid excessive impact such as that caused by falling. <p>(2) During operation</p> <ul style="list-style-type: none"> • Avoid contact with electrolytes such as perspiration. Do not touch with barehands. • Avoid excessive impact such as that caused by falling. • Do not apply solder to stud terminals. • Do not re-machine the terminals. <p>(3) Usage</p> <ul style="list-style-type: none"> • When the capacitor is used for high-speed pulses such as with a laser, make sure that the impressed voltage (peak-to-peak volt-age) is within the capacitor's rated specifications. • Make sure that the capacitor is not exposed to radiant heat from chambers or transformers.

Manufacturer of high voltage ceramic capacitors

Dongguan Uchi Electronics Co.,Ltd.
 Web:<http://www.uchidg.com> E-mail: james@uchidg.com
 Mobil: 18925858717 QQ: 305021005
 Tel:86-769-86183707 Fax:86-769-85625751